

# CROWN OPTO X2

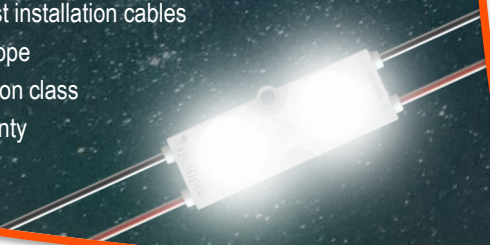
With Crown OPTO X2 we introduce a new member for Crown OPTO family for one-sided signs. Designed for depths ranging from 100 to 160 mm, these modules also enable you to reduce installation time and save up on module quantity. As they can be installed with 230 mm step, you need 22% less modules for 1 m<sup>2</sup> than with previous solutions. Powered by Edison LED, they show extreme endurance at harsh working conditions (IP66) and have 5 year warranty with L70 for 60,000 hours.

## Application

- One-sided signs and light boxes
- Recommended depth 100 – 160 mm
- Red colour available

## Features & benefits

- Powered by Edison LED
- CRI > 85
- Extreme environment and conditions housing
- Easy and fast installation cables
- Made in Europe
- IP66 protection class
- 5 year warranty



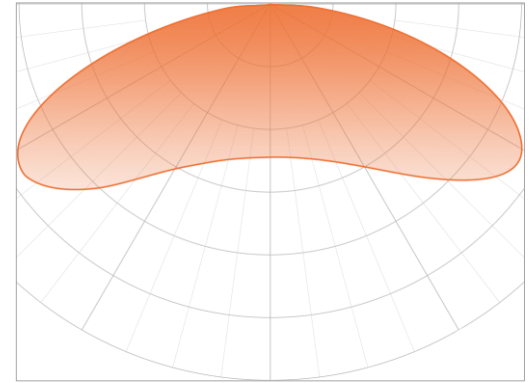
## CROWN OPTO X2 technical information

### General specifications

<b>Supply voltage</b>	12 VDC
<b>Power</b>	1.0 W
<b>CCT</b>	6300 – 9000 K
<b>Recommended depth</b>	From 100 to 160 mm
<b>Operating temperature</b>	-40 °C ~ +60 °C
<b>Storage temperature</b>	-5 °C ~ +30 °C
<b>Storage conditions</b>	Relative humidity <60%
<b>Certification</b>	CE and RoHS compliant
<b>IP class</b>	IP66
<b>Lifetime</b>	L70 60,000 h
<b>Warranty</b>	5 years*

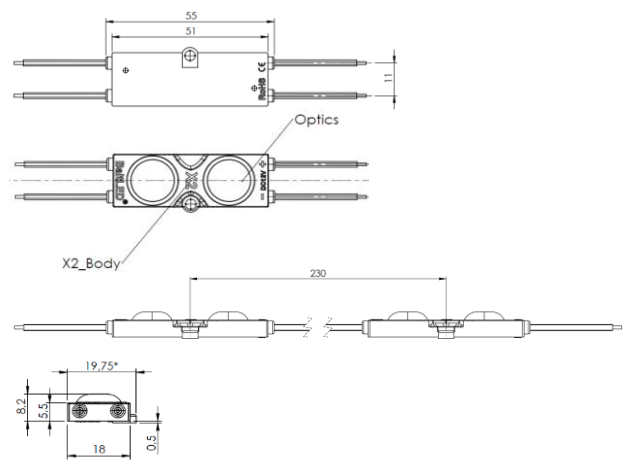
\* Warranty is applied only and if storage, mounting and maintenance conditions, stated in the installation guide, are followed.

### Light distribution graph



Beam angle: 160°

### Dimensions



### Ordering information

SKU	Luminous flux, lm	Colour temp.	Power, W
BMP-X2-O2UH160W1	85 – 90	6300 – 6800 K	1.0
BMP-X2-O2UH160W3	83 – 85	8500 – 9000 K	1.0
BMP-X2-O2UE160R	45 – 47	614 – 630 nm (red)	1.0

#### Ordering quantity

Chain: 50 pcs	(net weight: 0.6 kg)
Bag: 150 pcs	(net weight: 1.8 kg)
Box: 1350 pcs	(net weight: 16.2 kg)